



## Video Products Technical Bulletin 30-2017-129

DATE: **October 23, 2017**

SUBJECT: **BRACKET MODIFIED TO SUPPORT LMD-B240  
MONITOR**

MODEL: **MB-L22**


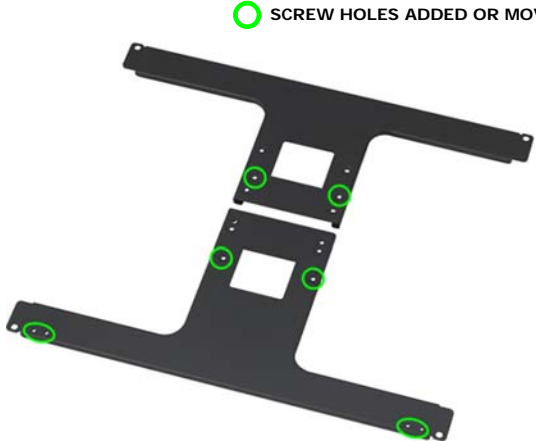
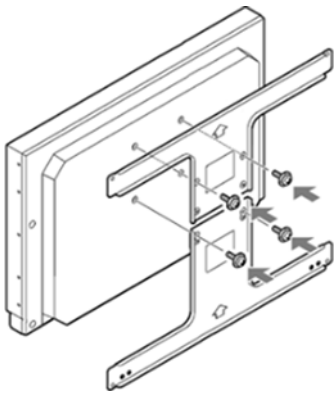
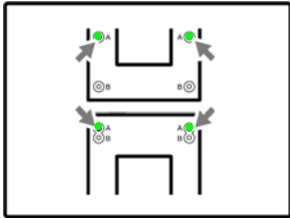
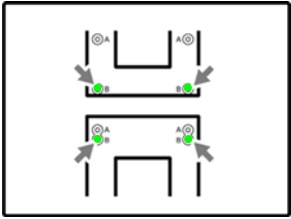
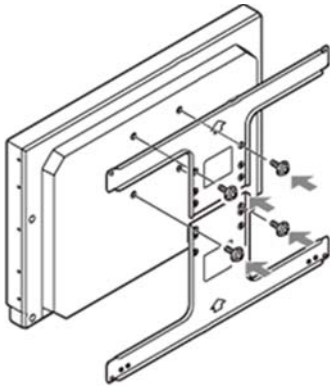
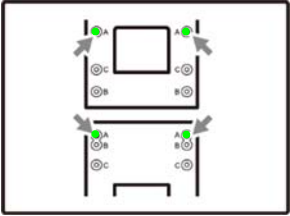
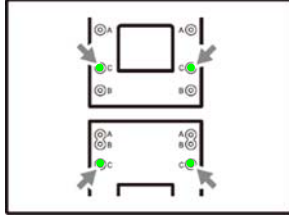
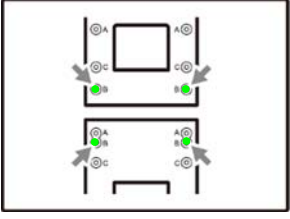
SERIAL NO: **ALL**

### DESCRIPTION

The MB-L22 bracket is modified to support the LMD-B240 monitor.

For differences between the former and new bracket, refer to Table 1.

**Table 1**

Former Bracket: MB-L22	New Bracket: MB-L22/1
Product Code: 15102400	Product Code: 15102401
Models Supported: LMD-A220 PVM-A250	Models Supported: LMD-A220 LMD-B240 PVM-A250
	 <p>SCREW HOLES ADDED OR MOVED</p>
<p>Installation</p>  <div style="display: flex; justify-content: space-around;"> <div data-bbox="175 1476 462 1724"> <p>LMD-A220</p>  </div> <div data-bbox="509 1476 797 1724"> <p>PVM-A250</p>  </div> </div>	<p>Installation</p>  <div style="display: flex; justify-content: space-around;"> <div data-bbox="1214 1199 1502 1444"> <p>LMD-A220</p>  </div> <div data-bbox="862 1476 1149 1724"> <p>LMD-B240</p>  </div> <div data-bbox="1214 1476 1502 1724"> <p>PVM-A250</p>  </div> </div>