

Service Manual



ORDER NO.
RRV1012

3D GOGGLE

GOL-1

3D GOGGLE ADAPTOR

ADP-1

THIS MANUAL IS APPLICABLE TO THE FOLLOWING MODEL(S) AND TYPE(S).

Type	Model	Power Requirement	Remarks
ZU	GOL-1, ADP-1	DC power supplied from other system component.	

- These products are optional products for LaserActive CLD – A100.

658

This service manual is intended for qualified service technicians; it is not meant for the casual do-it-yourselfer. Qualified technicians have the necessary test equipment and tools, and have been trained to properly and safely repair complex products such as those covered by this manual.

Improperly performed repairs can adversely affect the safety and reliability of the product and may void the warranty. If you are not qualified to perform the repair of this product properly and safely, you should not risk trying to do so and refer the repair to a qualified service technician.

WARNING

Lead in solder used in this product is listed by the California Health and Welfare agency as a known reproductive toxicant which may cause birth defects or other reproductive harm (California Health & Safety Code, Section 25249.5).

When servicing or handling circuit boards and other components which contain lead in solder, avoid unprotected skin contact with the solder. Also, when soldering do not inhale any smoke or fumes produced.

CONTENTS

1. EXPLODED VIEWS, PACKING AND PARTS LIST	2
2. SPECIFICATIONS	5

1. EXPLODED VIEWS, PACKING AND PARTS LIST/ 分解図, 梱包図と部品表

NOTES:

- Parts marked by "NSP" are generally unavailable because they are not in our Master Spare Parts List.
- The Δ mark found on some component parts indicates the importance of the safety factor of the part. Therefore, when replacing, be sure to use parts of identical designation.
- Parts marked by "◎" are not always kept in stock. Their delivery time may be longer than usual or they may be unavailable.
- NSP印の部品は、サービス用部品ではありません。従って原則として供給できません。
- Δ 印の部品は、安全上重要な部品です。交換するときは、安全および性能維持のため必ず指定の部品をご使用ください。
- ◎印の部品は、供給に時間を要するか、場合によっては供給をお断りすることがあります。

1.1 PARTS LIST FOR EXPLODED VIEWS/分解図の部品表

● GOL-1/ZU

Mark	No.	Description	Parts No.
	1	Scope frame ASSY	DXA1681
NSP	2	Filter	DEC1755
NSP	3	Scope frame	DNK2904
	4	Band B	DNK2911
	5	Band stopper	DNK2912
	6	Band A	DNK2910
	7	Band cap R	DNK2909
	8	Spacer	DEC1756
	9	LCD holder	DNK2906
	10	LCD	DGN1004
	11	Cushion	DEB1267
	12	LCD Board	DNP1605
	13	Inter connector	DEB1268
	14	LCD frame	DNK2905
	15	Scope cable	DKP2850
NSP	16	Cushion holder	DNK2907
	17	Band cushion	DEB1266
	18	Screw	BPZ26P080FZK
	19	Screw	CPZ30P080FZK
	20	Cushion holder ASSY	DXA1682
	21	Band cap L	DNK2908

● GOL-1/J

マーク	No.	名 称	部品番号
	1	スコープフレームASSY	DXA1681
NSP	2	フィルター	DEC1755
NSP	3	スコープフレーム	DNK2904
	4	バンド B	DNK2911
	5	バンドストッパー	DNK2912
	6	バンド A	DNK2910
	7	バンドキャップ R	DNK2909
	8	スペーサー	DEC1756
	9	LCDホルダー	DNK2906
	10	LCD	DGN1004
	11	クッション	DEB1267
	12	LCD基板	DNP1605
	13	インターコネクター	DEB1268
	14	LCDフレーム	DNK2905
	15	スコープケーブル	DKP2850
NSP	16	クッションホルダー	DNK2907
	17	バンドクッション	DEB1266
	18	ネジ	BPZ26P080FZK
	19	ネジ	CPZ30P080FZK
	20	クッションホルダーASSY	DXA1682
	21	バンドキャップ L	DNK2908

● ADP-1/ZU

Mark	No.	Description	Parts No.
	1	Case (upper)	DNK2913
	2	PCB unit	DWX1472
	3	Adapter cable	DKP2851
	4	Case (under)	DNK2914
	5	Screw	BPZ26P080FZK
NSP	6	Caution label	DRW1567

● ADP-1/J

マーク	No.	名 称	部品番号
	1	ケース(上)	DNK2913
	2	基板ユニット	DWX1472
	3	アダプターケーブル	DKP2851
	4	ケース(下)	DNK2914
	5	ネジ	BPZ26P080FZK

1.2 PARTS LIST FOR PACKING/梱包図の部品表

● GOL-1/ZU

Mark	No.	Description	Parts No.
	1	Unit box	DHG1580
	2	Operating instructions (English)	DRB1168
	3	
NSP	4	Polyethylene bag	DHL1085
	5	Protector A	DHA1280
	6	Protector B	DHA1289
	7	Contain box (master case)	DHG1581

● GOL-1/J

マーク	No.	名 称	部品番号
	1	ユニットボックス	DHG1573
	2	取扱説明書	DRA1275
	3	
NSP	4	ポリ袋	DHL1085
	5	プロテクター A	DHA1280
	6	プロテクター B	DHA1289
	7	コンテイングボックス(マスターケース)	DHG1574

● ADP-1/ZU

Mark	No.	Description	Parts No.
	1	Unit box	DHG1582
NSP	2	Polyethylene bag	DHL1088
	3	Contain box (master case)	DHG1583
NSP	4	Caution note	DRM1156

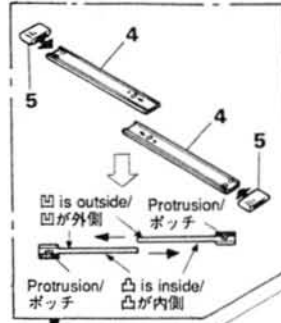
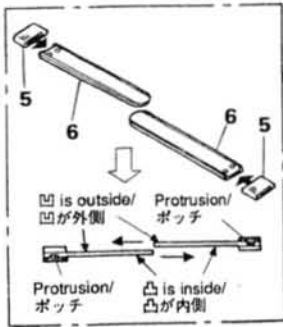
● ADP-1/J

マーク	No.	名 称	部品番号
	1	ユニットボックス	DHG1575
NSP	2	ポリ袋	DHL1088
	3	コンテイングボックス	DHG1576

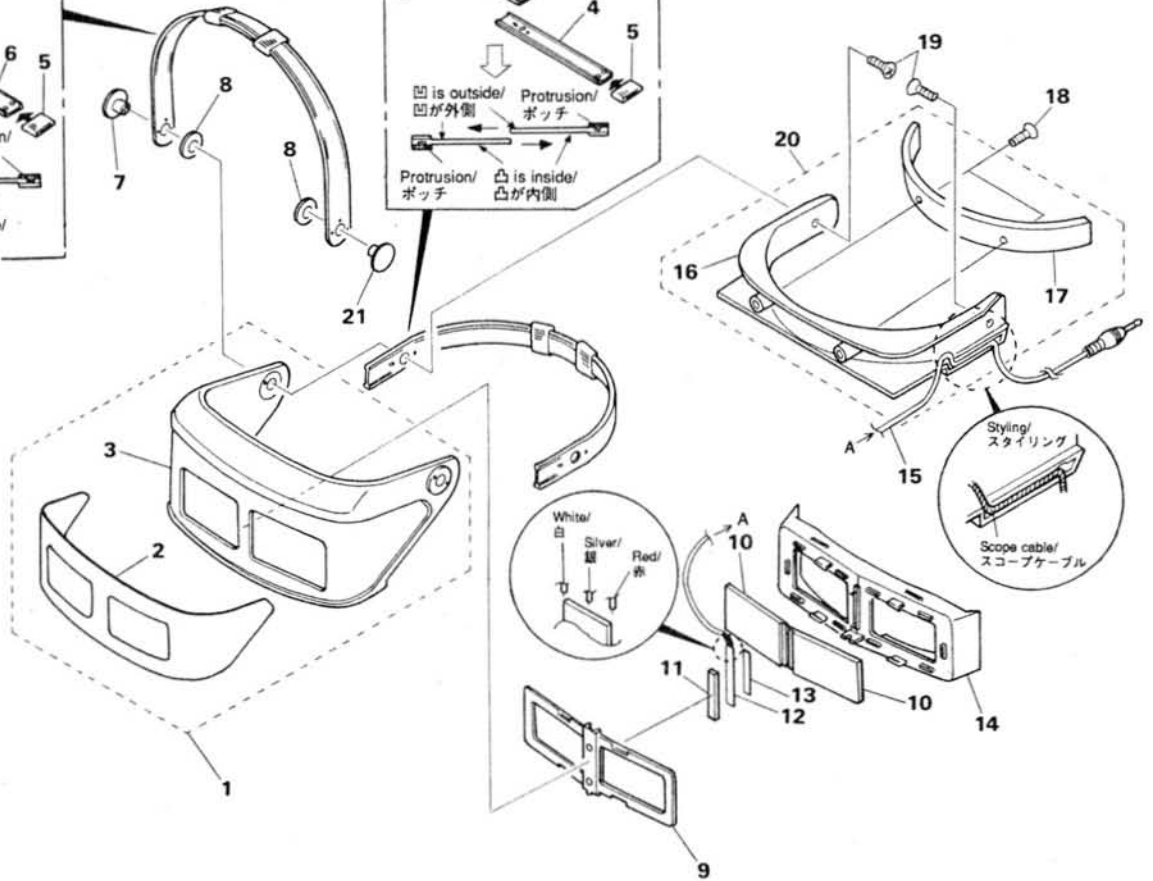
● EXPLODED VIEWS/分解図

for GOL-1

A

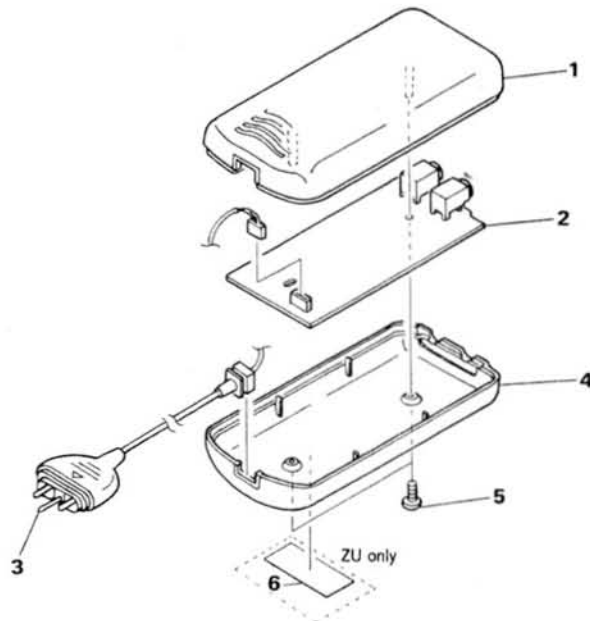


B



for ADP-1

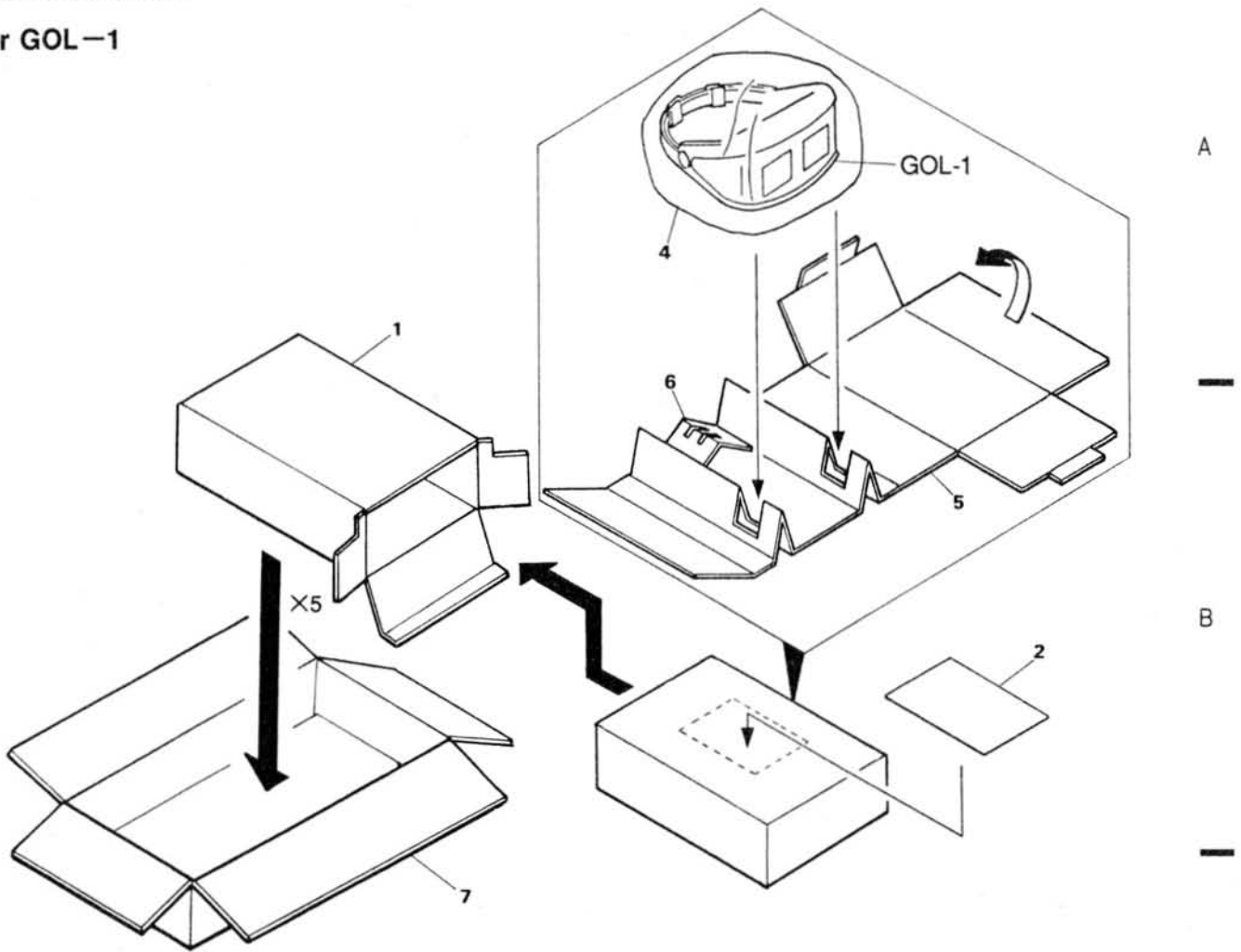
C



D

● PACKING/梱包図

for GOL-1



for ADP-1

